

SUPER PAP PEN, LIQUID BLOCKER L4197S

In order to use this Pen, hold upright and push the tip with your thumb a couple of times to release the air in the Pen. Turn the Pen upside down, put the tip on the glass slide, and push down a couple of times until the tip gets moderately wet. Do not push the tip too hard nor too many times or the liquid will explode and you will ruin the tip. Once the tip gets moderately wet, it is ready to use.

Description:

The PAP Pen is a special marking Pen that provides a thin film-like barrier (PAP Pen guard) when a circle is drawn around the specimen. This barrier creates the correct surface tension to hold antibody solution within the target area on the slide. The PAP Pen is very effective for immunostaining procedures by the Peroxidase-Antiperoxidase (PAP) method, ABC method, B-SA method, immunofluorescence method, ASD method, Enzyme method and Frozen Section method. The surface tension provided by PAP Pen guard ensures that only the amount of antibody solution needed for sufficient reaction will be applied.

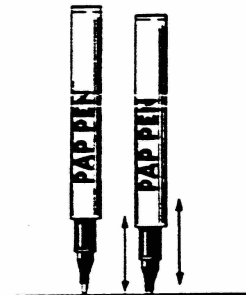
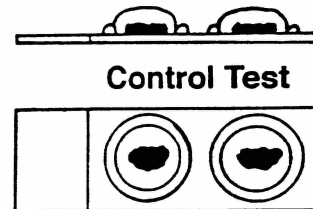
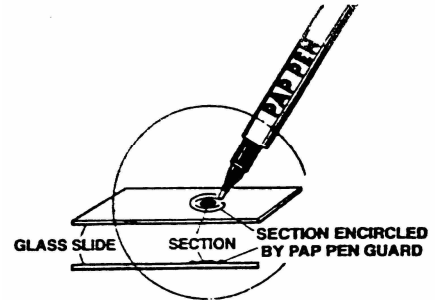
Two specimens, separated by two circles, can be applied to the same slide. The PAP Pen contains a special formulation which is water repellent, insoluble in alcohol and acetone, and stable for long time periods. It can be removed, if desired, by xylene after the staining procedure is completed.

Method for Paraffin Sections:

Deparaffinize and rehydrate the section according to accepted procedures. For proper adhesion of the PAP Pen circle, the glass slide surface should be clean and dry.

Remove the slide from the water of buffer solution; dry around tissue section with water absorbent paper; encircle the section with PAP Pen as illustrated. Allow the circle to dry for approximately 1 minute at room temperature and return the slide to water or buffer.

If trypsinization or another proteolytic digestion is to be used, apply the PAP Pen barrier after that step is completed.



Paper Surface

To start, press the tip of PAP Pen straight down several times or until fluid starts soaking the tip. Keep tightly capped and store horizontally.

Method for Frozen Sections:

The PAP Pen circle may be applied on the glass surface (at room temperature) either before fixation or prior to the first immersion in the water or buffer.

If the slide is treated with hydrophile, soak the slide in 0.1N hydrochloric acid for 30 seconds. Wash with water and dry. This will help prevent the PAP Pen guard from lifting.